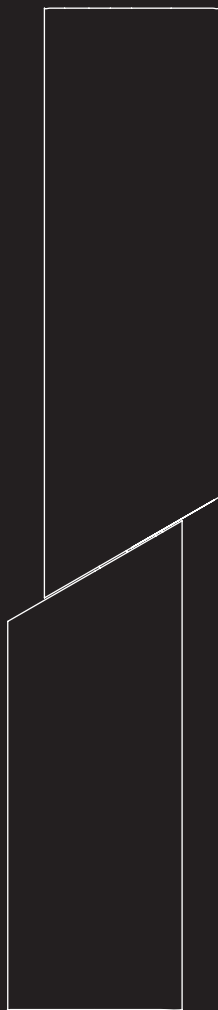


# E06

design Habits Studio



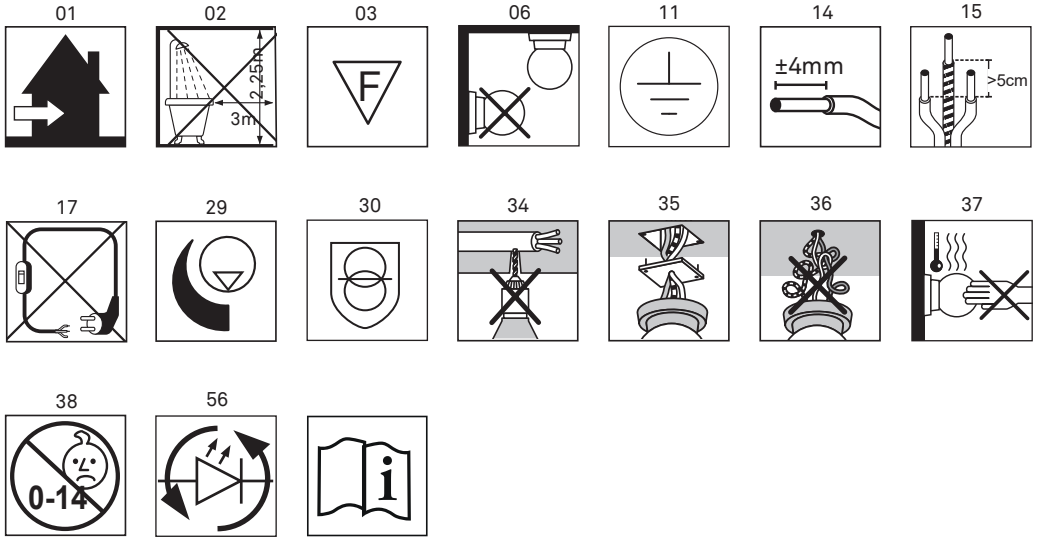
**LUCE  
PLAN**

---

E06



E06100 - E06150 + E061M - E061W - E062M - E062W



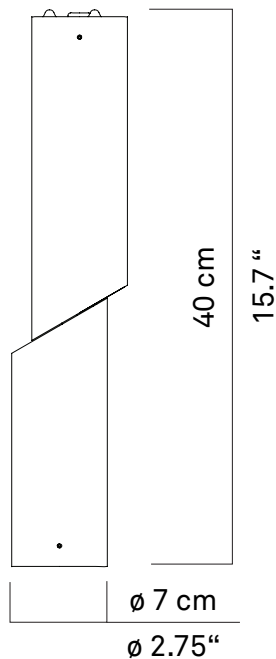
# E06100



a



b



x4



x1

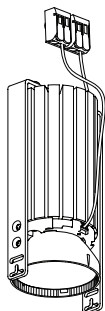


x1



x1

# E061M - E061W - E062M - E062W



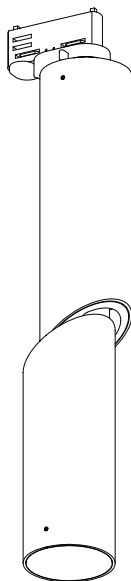
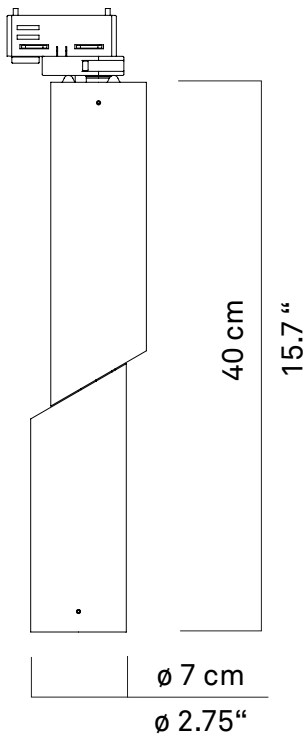
x1



x1

**kg** 1,7 kg **lb** 3.7 lb

# E06150



x1

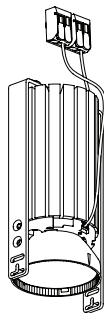


x4

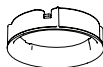


x1

# E061M - E061W - E062M - E062W



x1



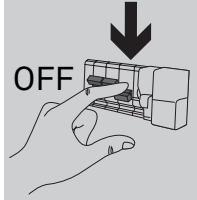
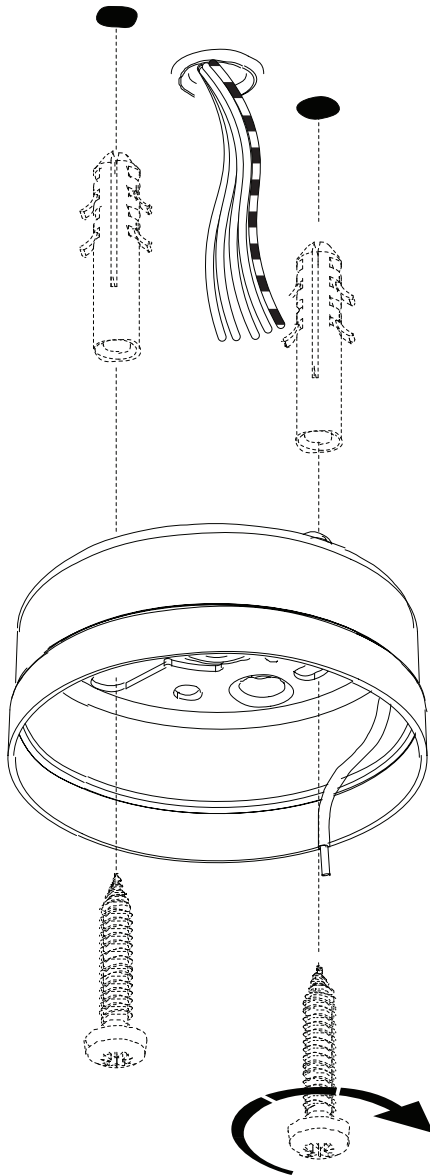
x1

kg 1,8 kg

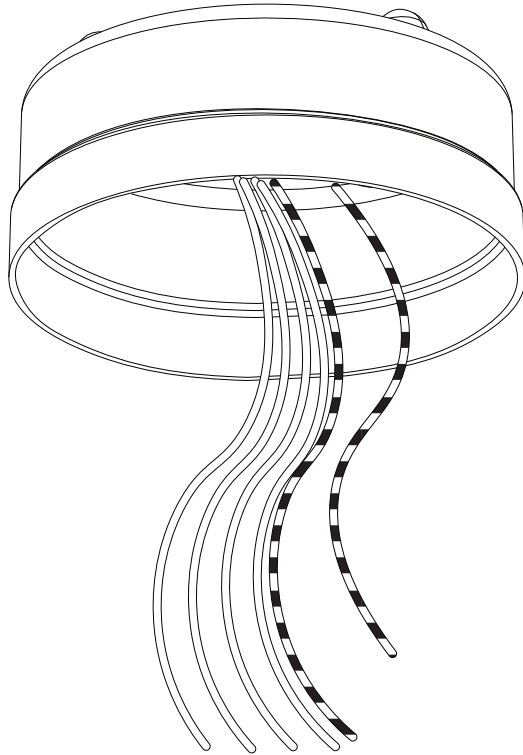
lb 3.9 lb

# 1

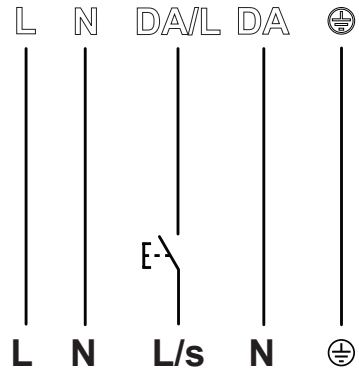
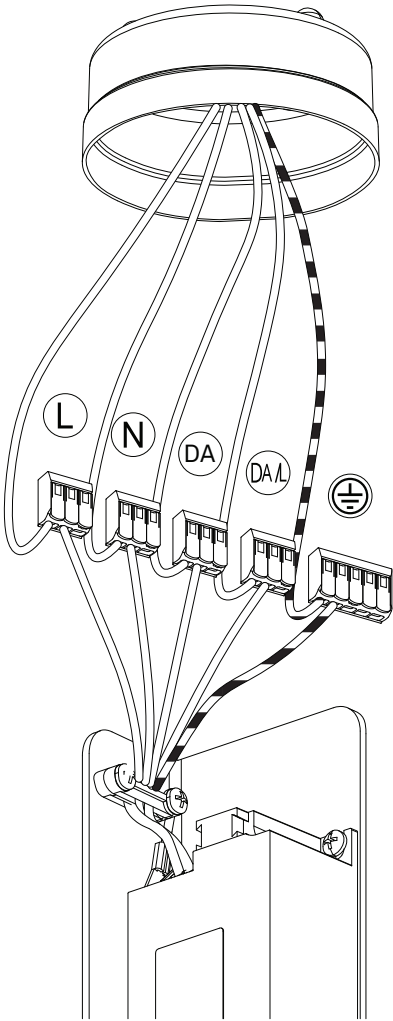
## E06100



# 1.2 E06100



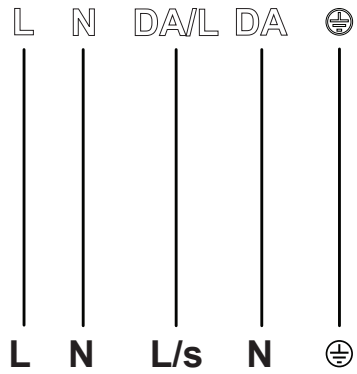
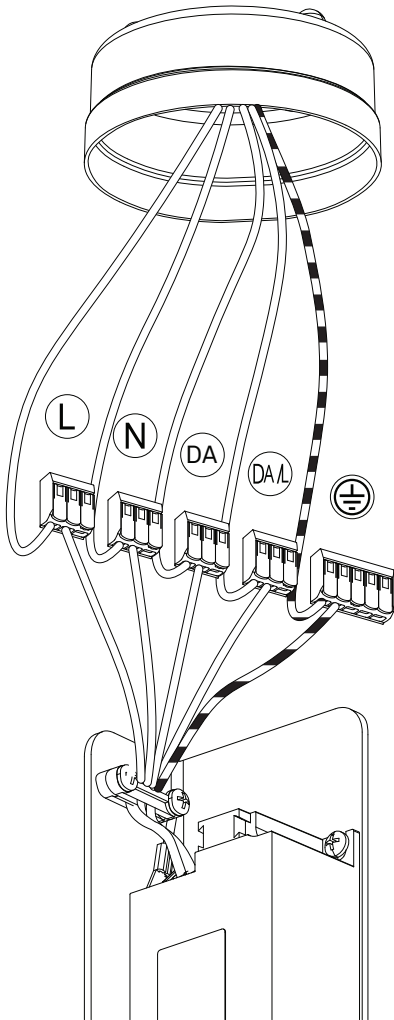
# 1.3 E06100



PUSH DIM

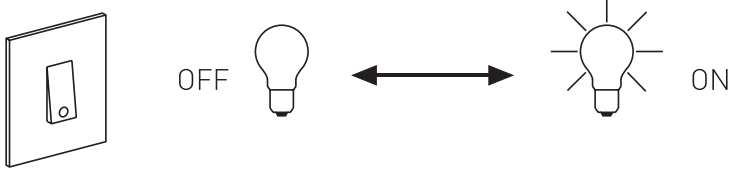
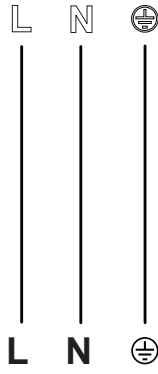
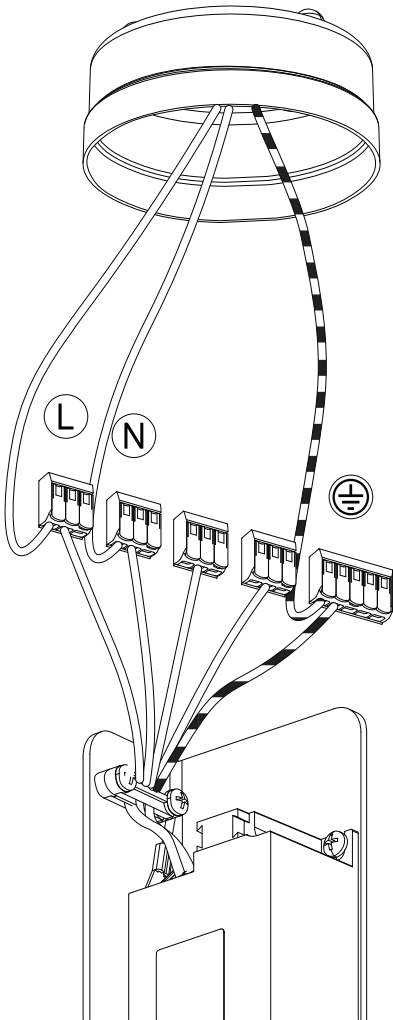


# E06100

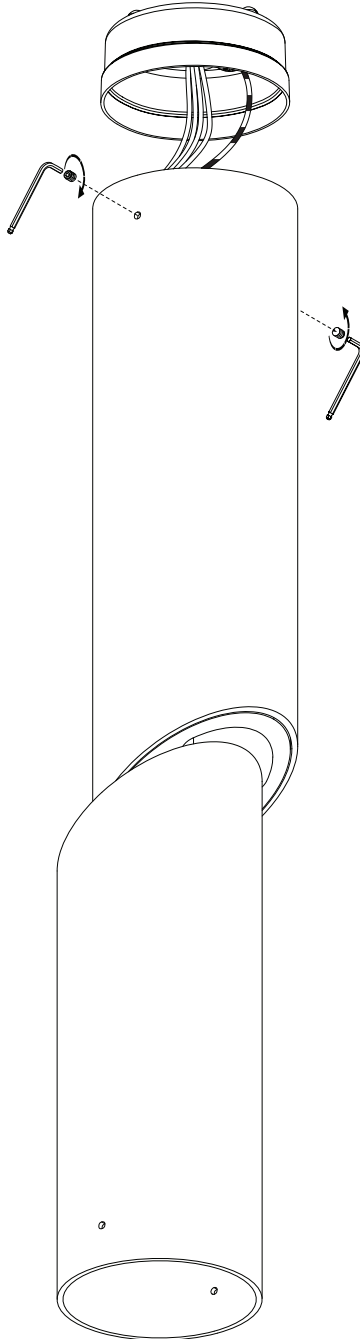




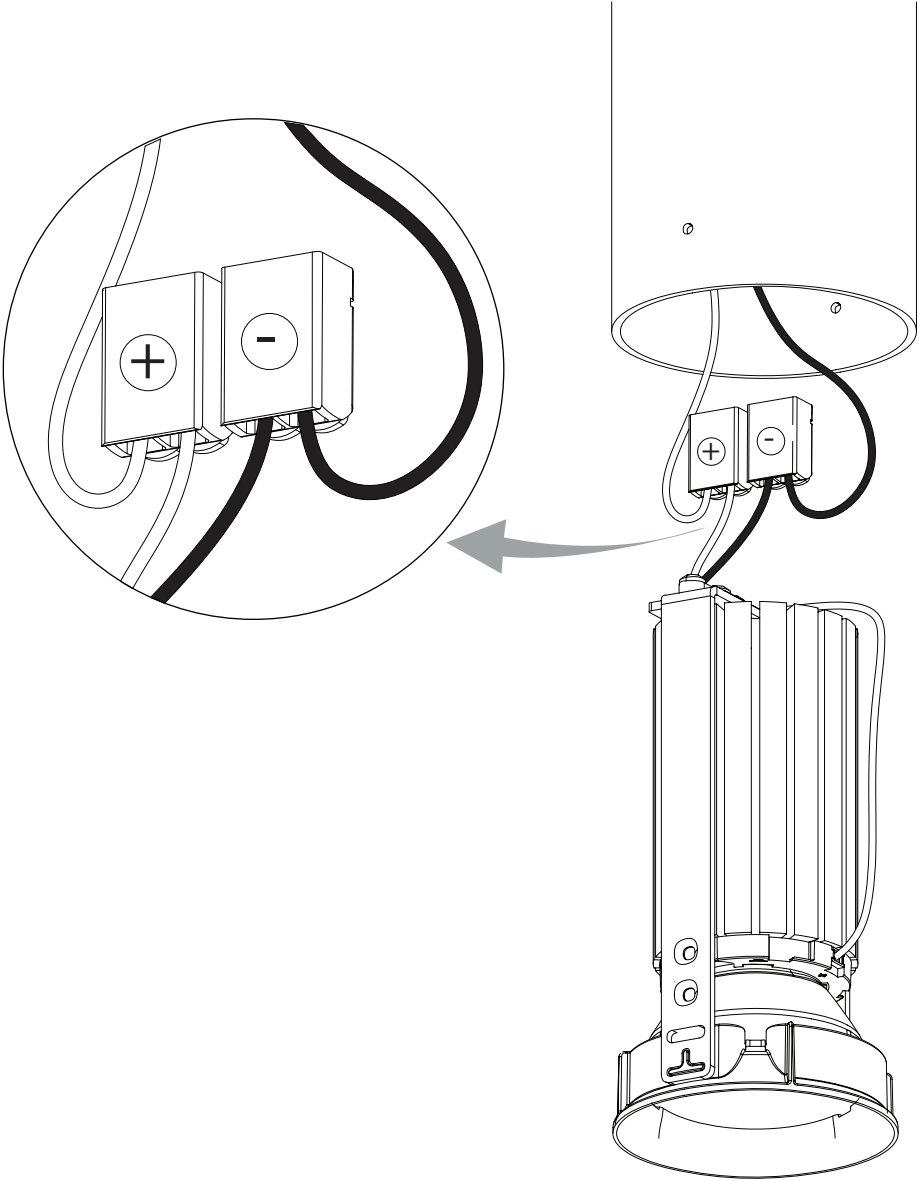
# E06100



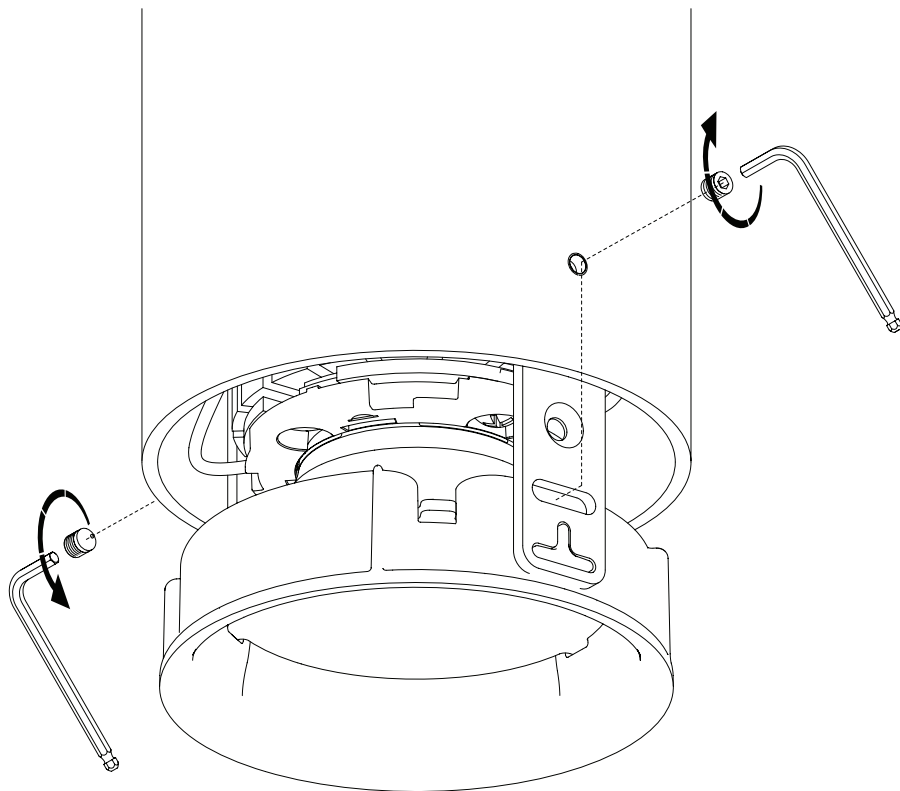
# 1.4 E06100



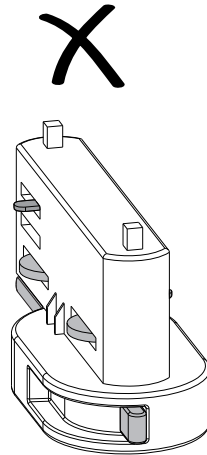
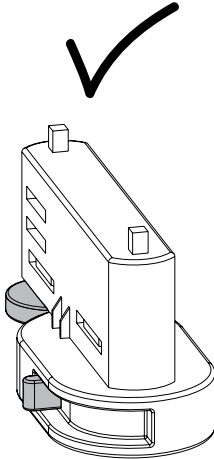
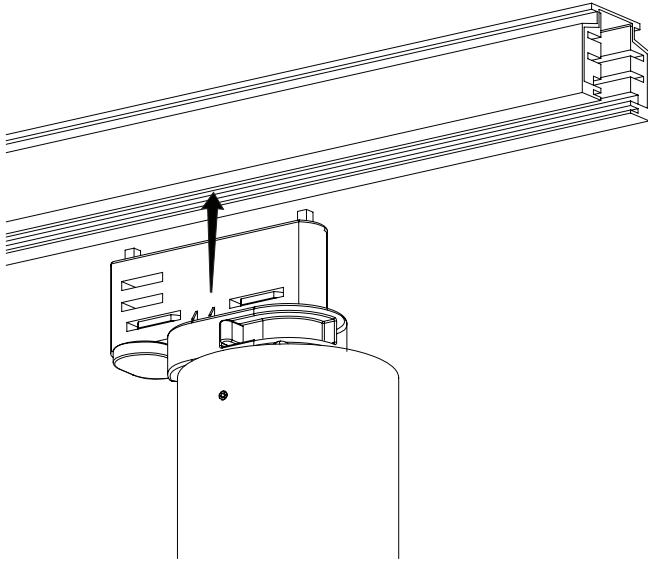
# 1.5 E06100 - E06150 + E061M - E061W - E062M E062W



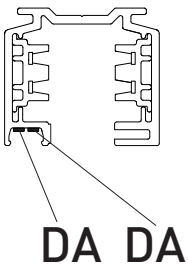
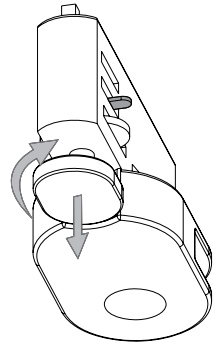
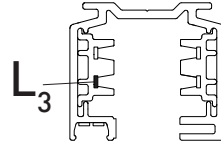
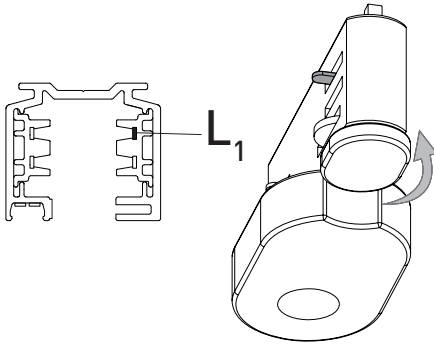
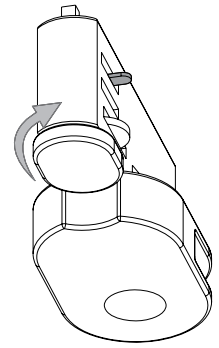
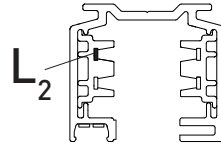
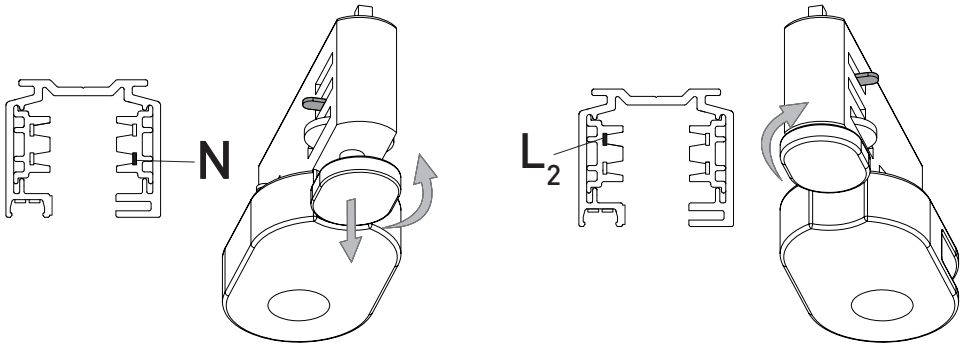
# 1.6 E06100 - E06150 + E061M - E061W - E062M E062W



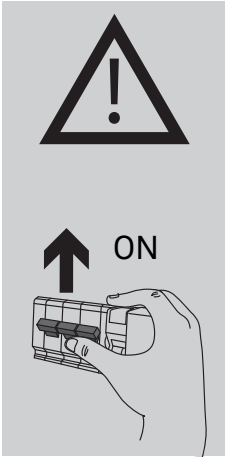
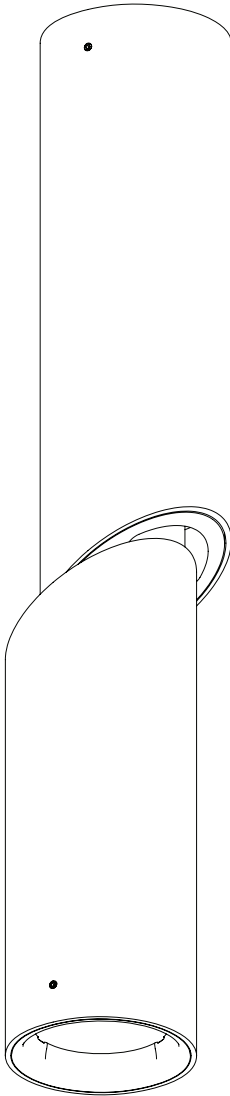
# 1.7 E06150



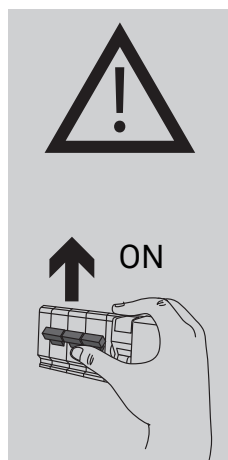
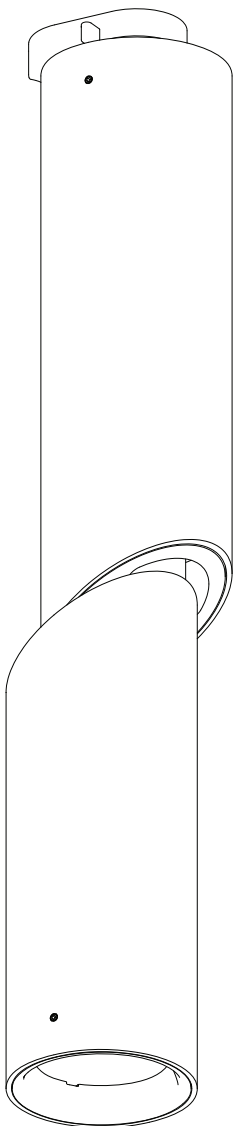
# 1.8 E06150



# 1.9 E06100



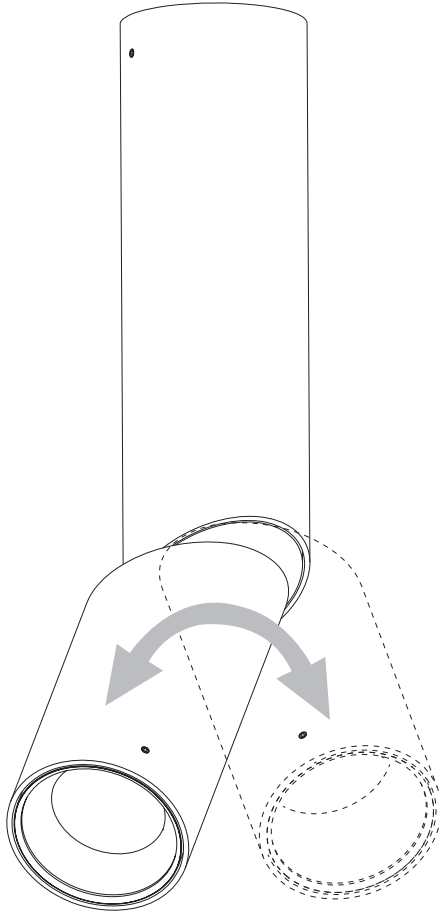
# E06150



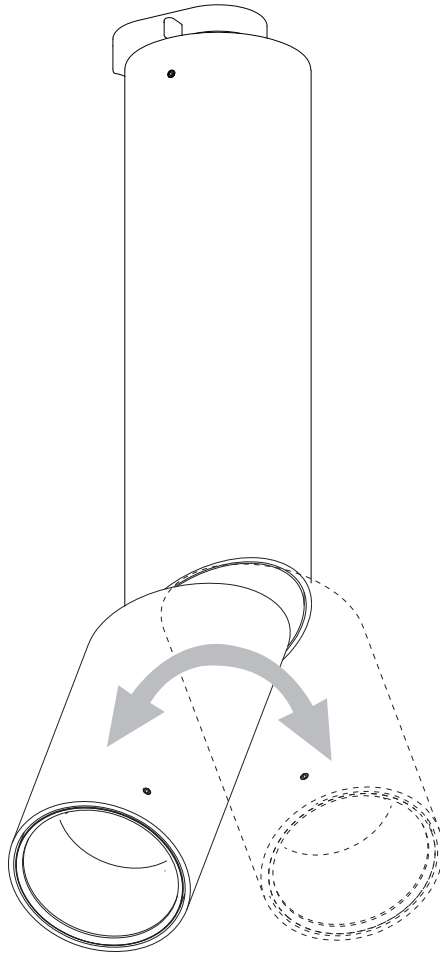


---

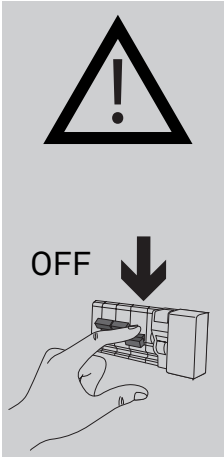
# 2 E06150



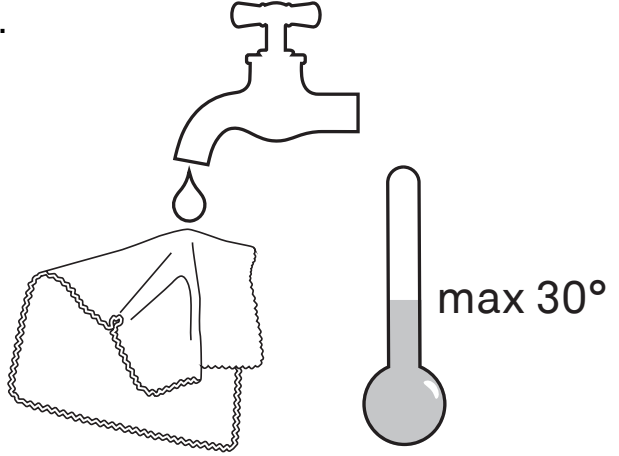
# E06100



# 2



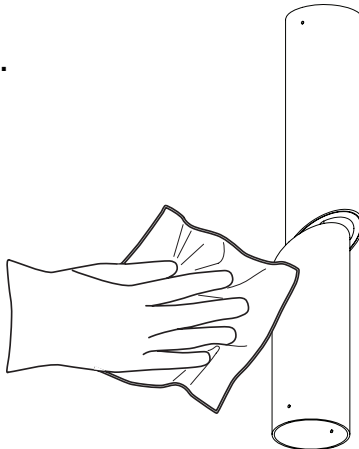
1.



2.



3.





[www.luceplan.com](http://www.luceplan.com)

E0601005